

Broadcast Media Segment

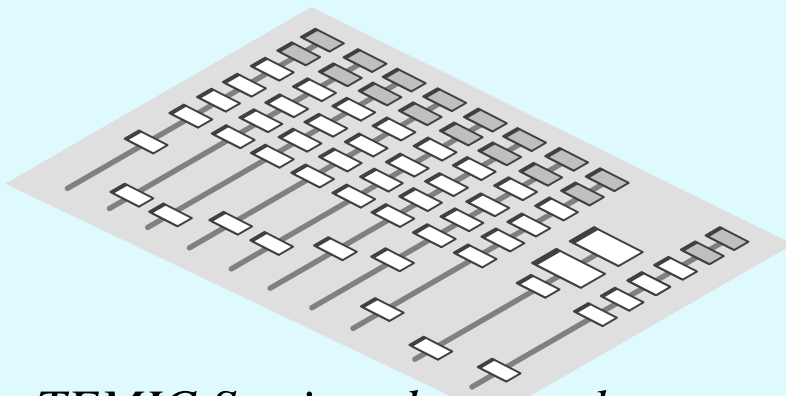
Video: TV, VTR, CATV, satellite TV, Multimedia

AM/FM radio

DVB/DAB

Radio controlled watch, clock, timer

Broadcast Media



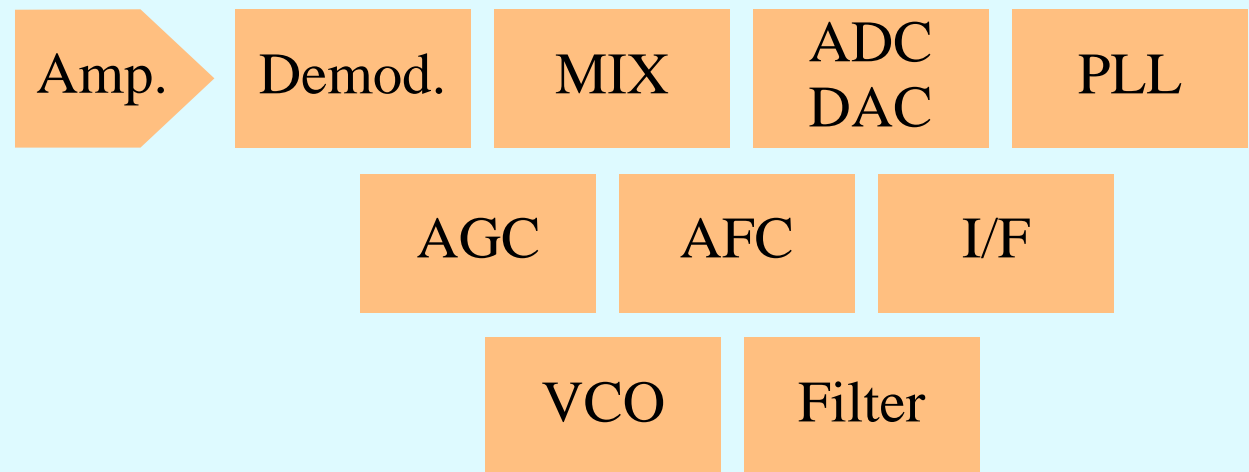
TEMIC Semiconductors, the independent supplier of value adding IC solutions for broadcast media applications

- RF
- IF and Demodulator
- Analog and Digital mixed signal
- High-performance signal processing
- Application specific digital-signal processing, microcontrollers

Broadcast Media

Multistandard RF & IF Solutions for Easy Customer Usage

- TV, VTR, CATV, satellite TV
- Multimedia PC
- DVB
- AM/FM radio
- DAB
- Radio controlled watch, clock, timer



Broadcast Media

IC Products

Space saving, cost efficient, high-performance mixed signal processors

- Multistandard TV baseband processor
- TV deflection processor
- Single-chip radio

Single
Chip

Application specific microcontroller for individual customer differentiation

- User platforms for TV monitors, set tops, monitors, car radios
- Conditional access
- Time signal decoders

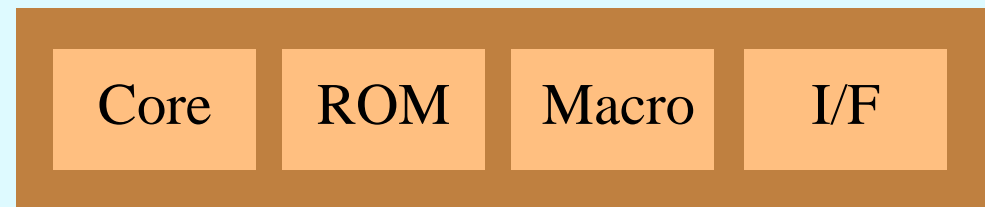
Core

Broadcast Media

IC Products

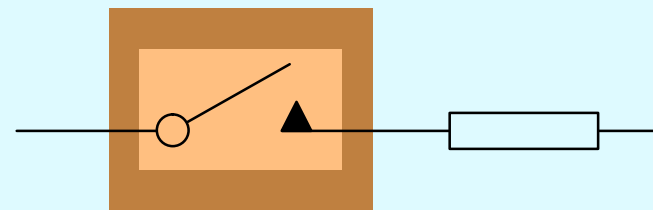
Digital-signal processing where hardware and software merges for functionality

- DAB signal decoding



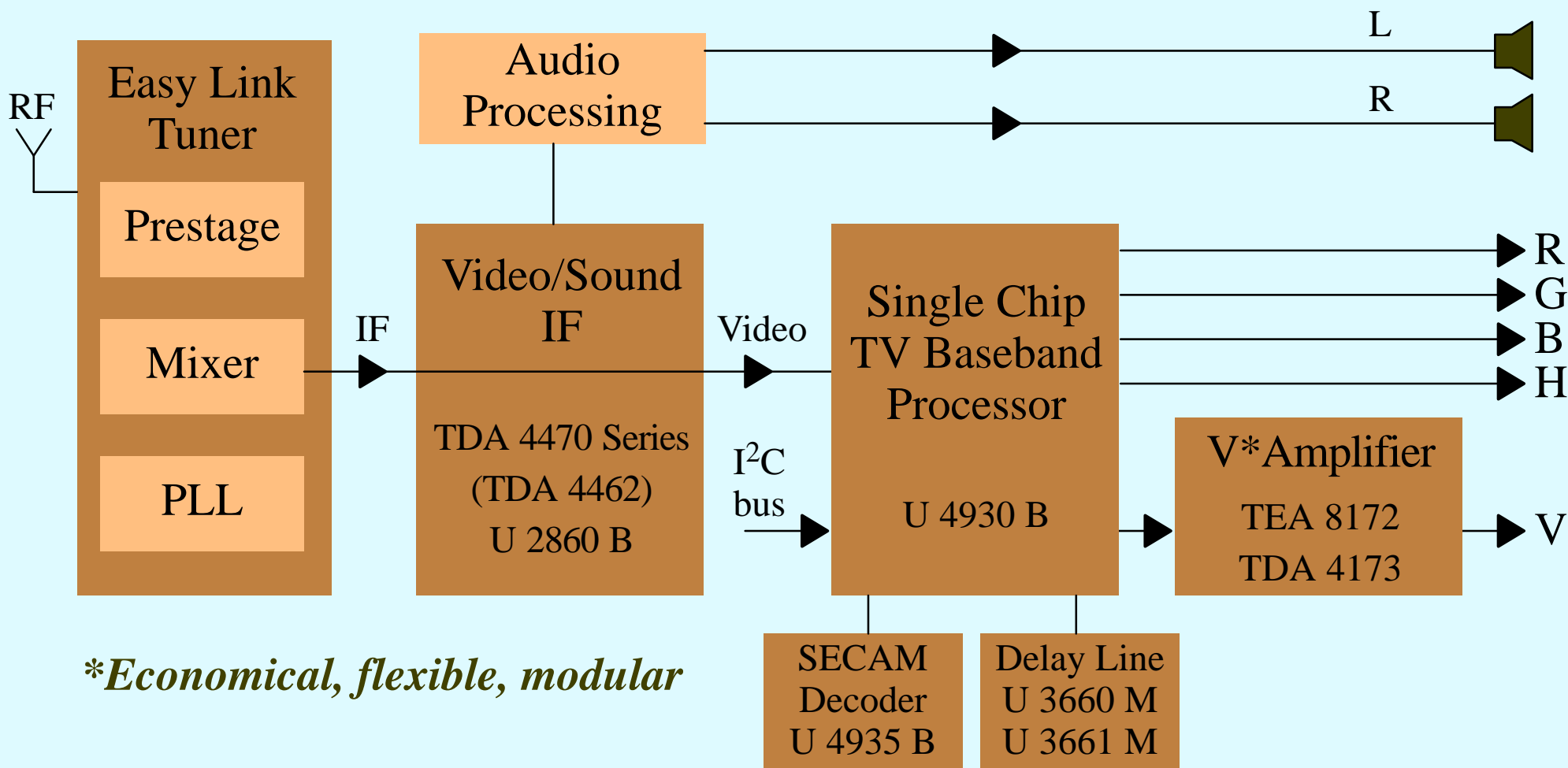
Powerful outside while remaining cool inside

- TV and monitor vertical deflection drivers
- E/W correctors
- SMPS



Broadcast Media: Video

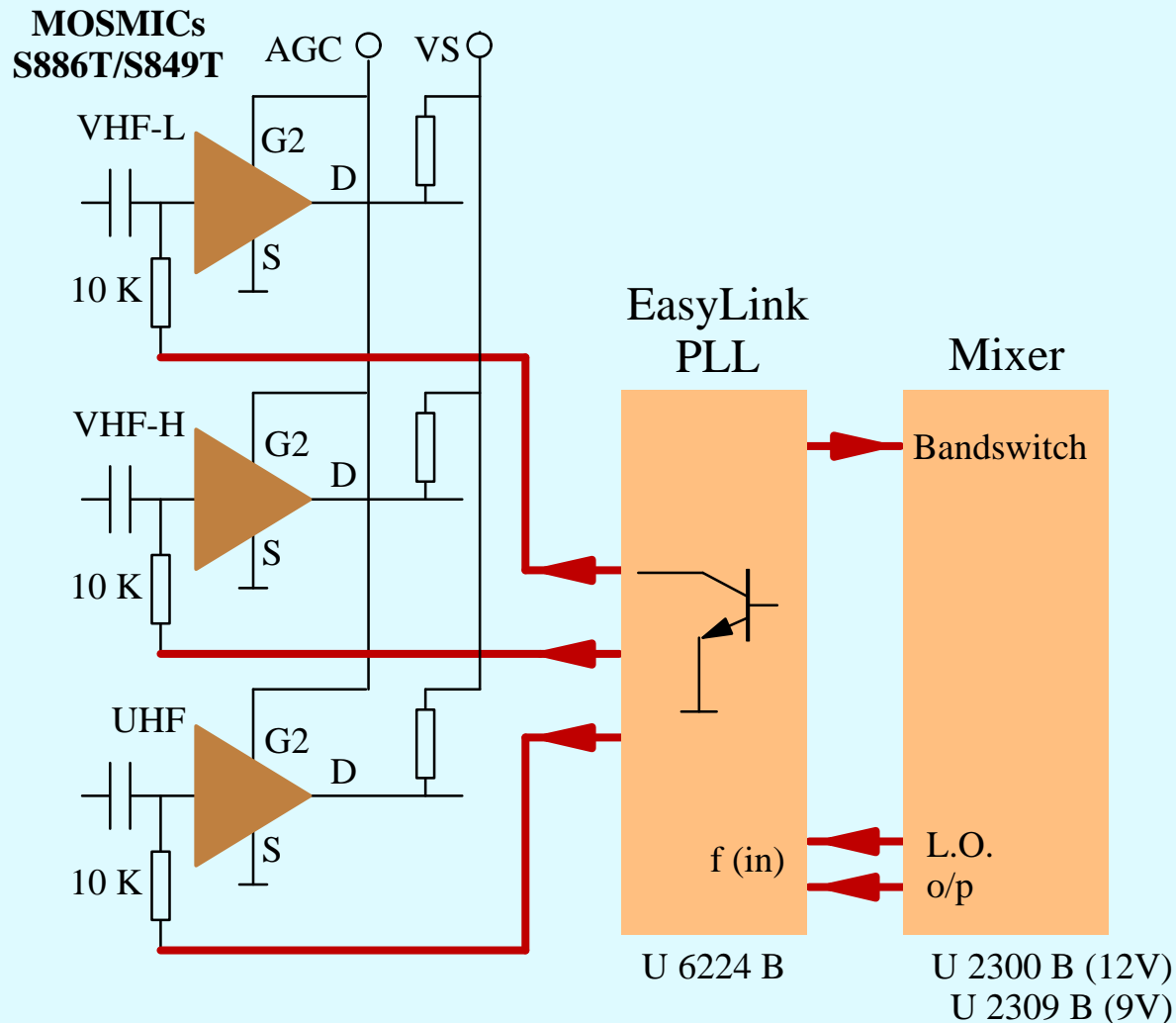
TEMIC Concept for Multistandard TV Chassis



**Economical, flexible, modular*

Broadcast Media: Video Front End

EasyLink PLL with MOSMICs and Triple-Mixer IC



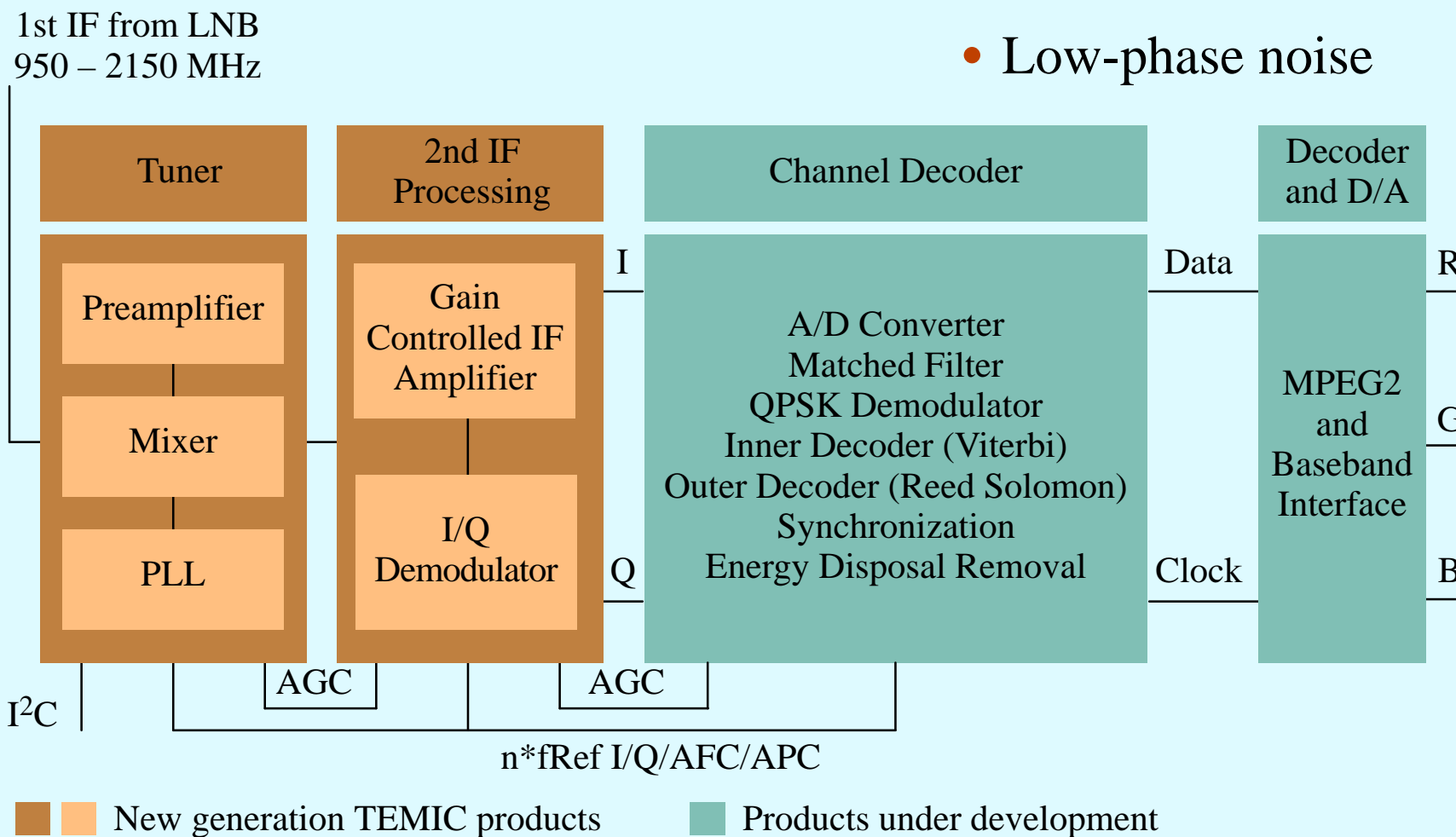
EasyLink Means:

- NPN band switches for MOSMIC preamplifiers
- Fewer interconnections
- Customer software compatibility
- Cost savings

Broadcast Media: DVBS/DSS Front End

Important for Correct Channel Decoding

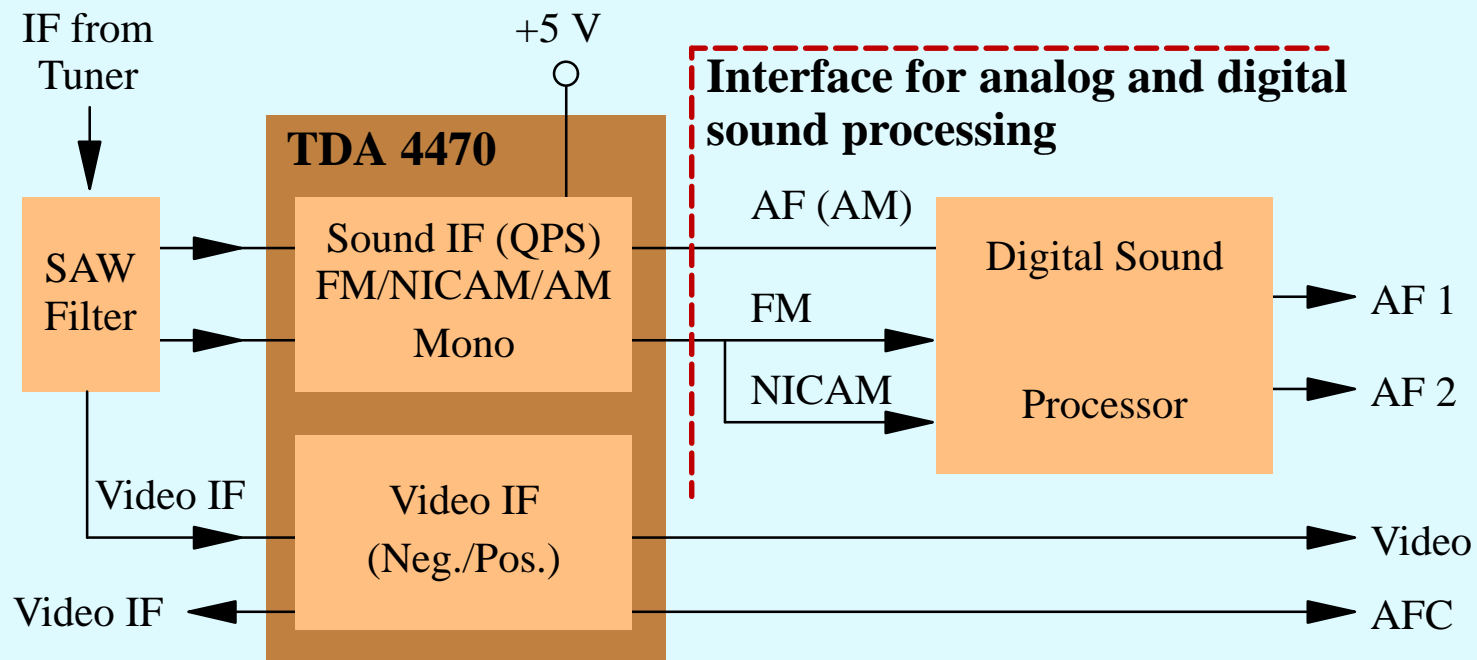
- High precision IF front end
- Low-phase noise



Broadcast Media: Video

Multistandard IF – Combination TDA 4470

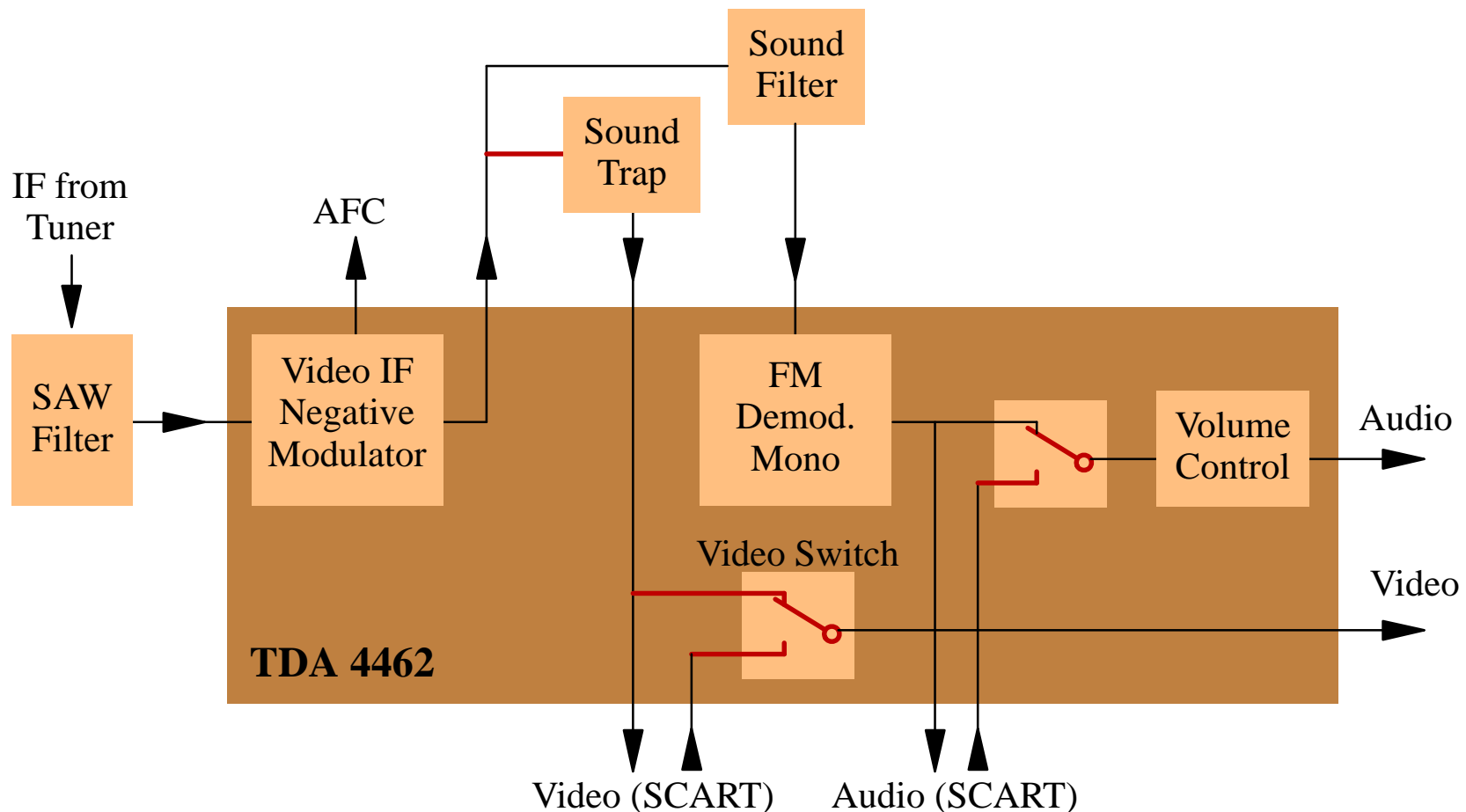
- High performance version
- One component of a modular family
- Even accepts L standard when out of specification



Broadcast Media: Video

IF 1-Chip Processor TDA 4462

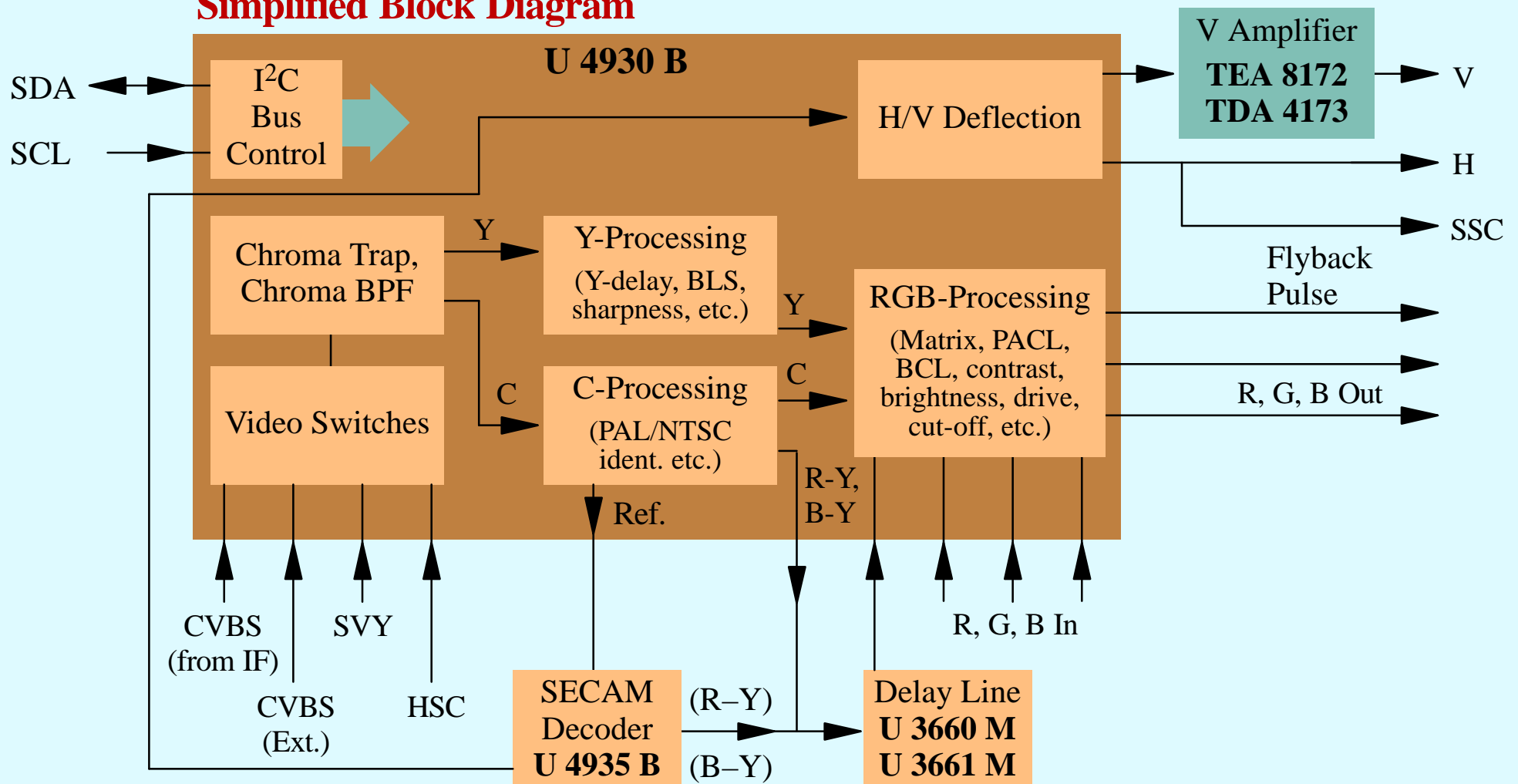
- Compact
- Multimedia oriented



Broadcast Media: Video

Multistandard Single-Chip TV Baseband Processor

Simplified Block Diagram



Broadcast Media: Video

ICs for High Resolution Monitors

U 2203 B

- Video amplifier
- 3-channel solution
- 90-MHz bandwidth (–3 dB)

TEA 8172

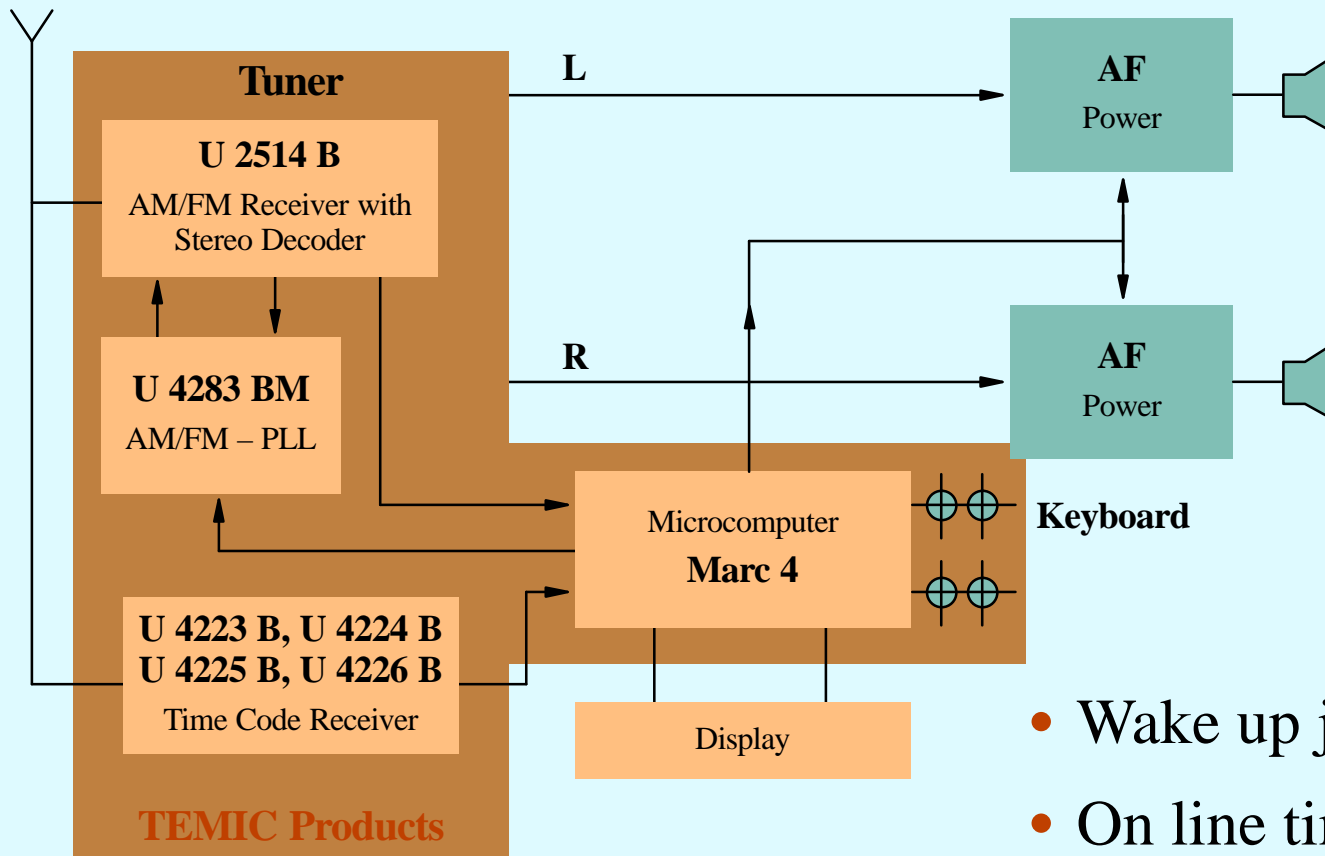
- Vertical amplifier

TDA 8145, TDA 4950

- East/west correction

Broadcast Media: Radio/Audio

PLL Tuned AM/FM Stereo Radio with Time-Code Receiver



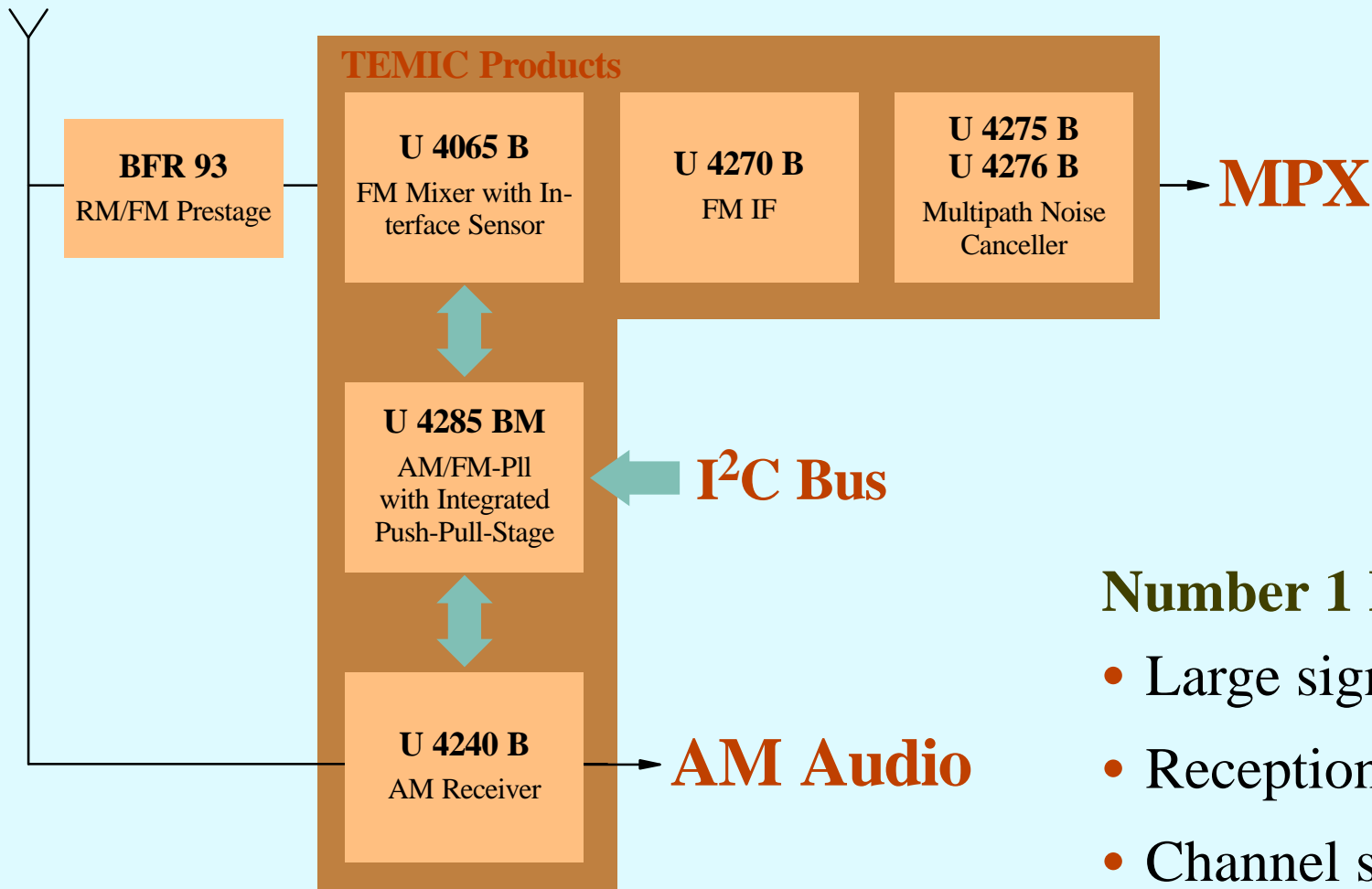
TEMIC Product Applications

- Multimedia radio cards
- Power packs
- Portable radios
- Car radios

- Wake up just in time
- On line time code receiver
- Chip set for mono AM/FM radio also available

Broadcast Media: Radio/Audio

AM/FM Front End for Car Radios

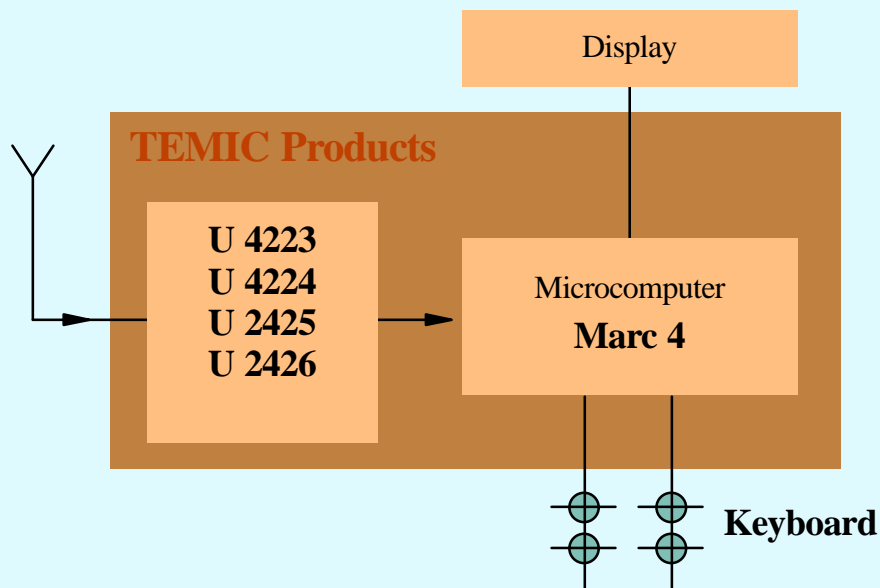


Number 1 In:

- Large signal compatibility
- Reception quality
- Channel switching speed

Broadcast Media: Radio/Audio

Radio Time-Code Receiver



Benefits

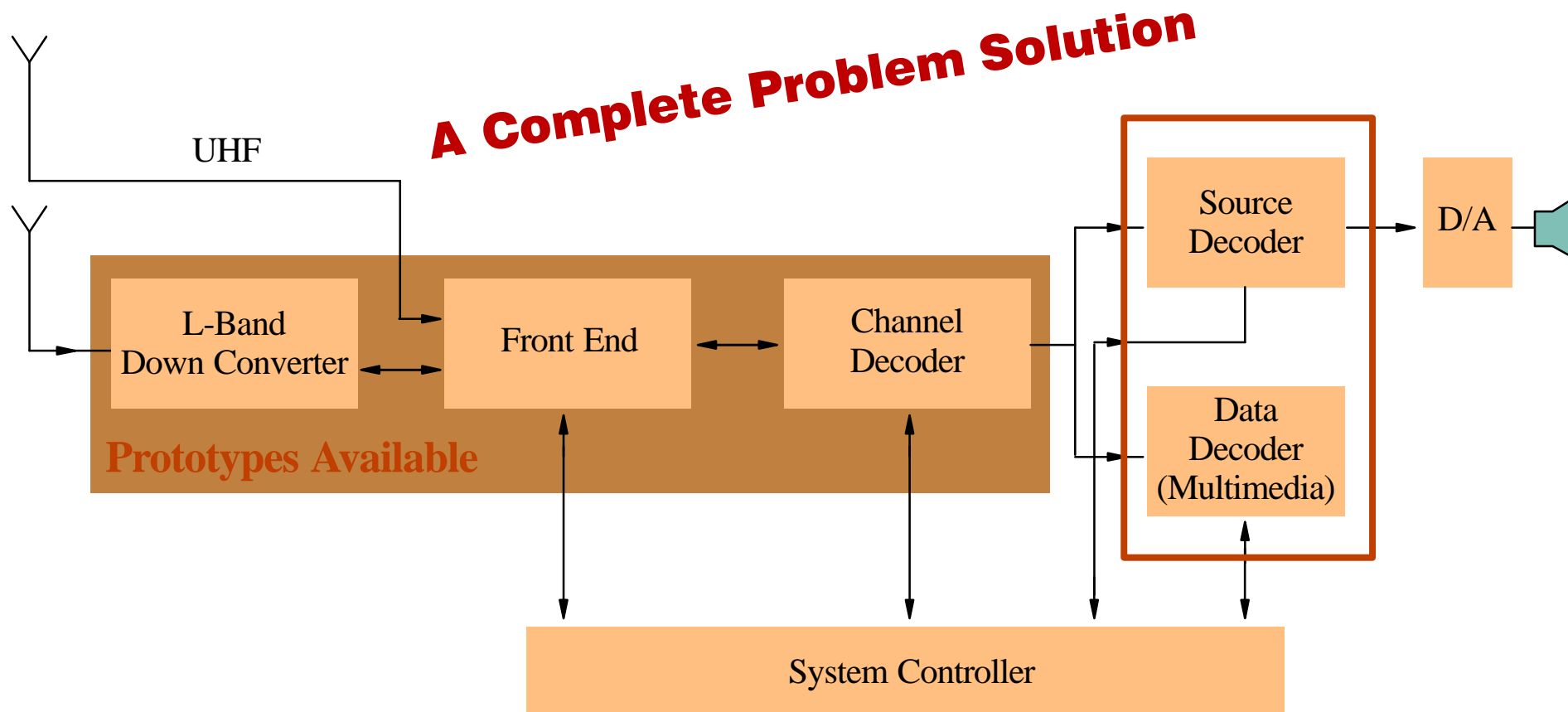
- Ultimate time precision
- On-line with official transmitters
- Lowest power consumption
- All country standards

TEMIC Product Applications

- Clock radios
- Alarm clocks
- Wrist watches
- Industrial timers

Broadcast Media: DAB

TEMIC DAB Receiver IC Kit



Under development

Broadcast Media: DAB

TEMIC DAB Channel Decoder IC Kit

DSP Hard & Software Solutions at Work

